

CHAIN LINK DOG KENNEL ROOF

INSTRUCTION MANUAL

FOR SPECIFICATION:13ft.(L)×7.5ft.(W)×6ft.(H) /3.96M×2.29M×1.83M



.....
Accessories (provided):

A. Clamp 16pcs, screw 8pcs



B. 30pcs



C. Roof 1pc



Tube 7pcs.

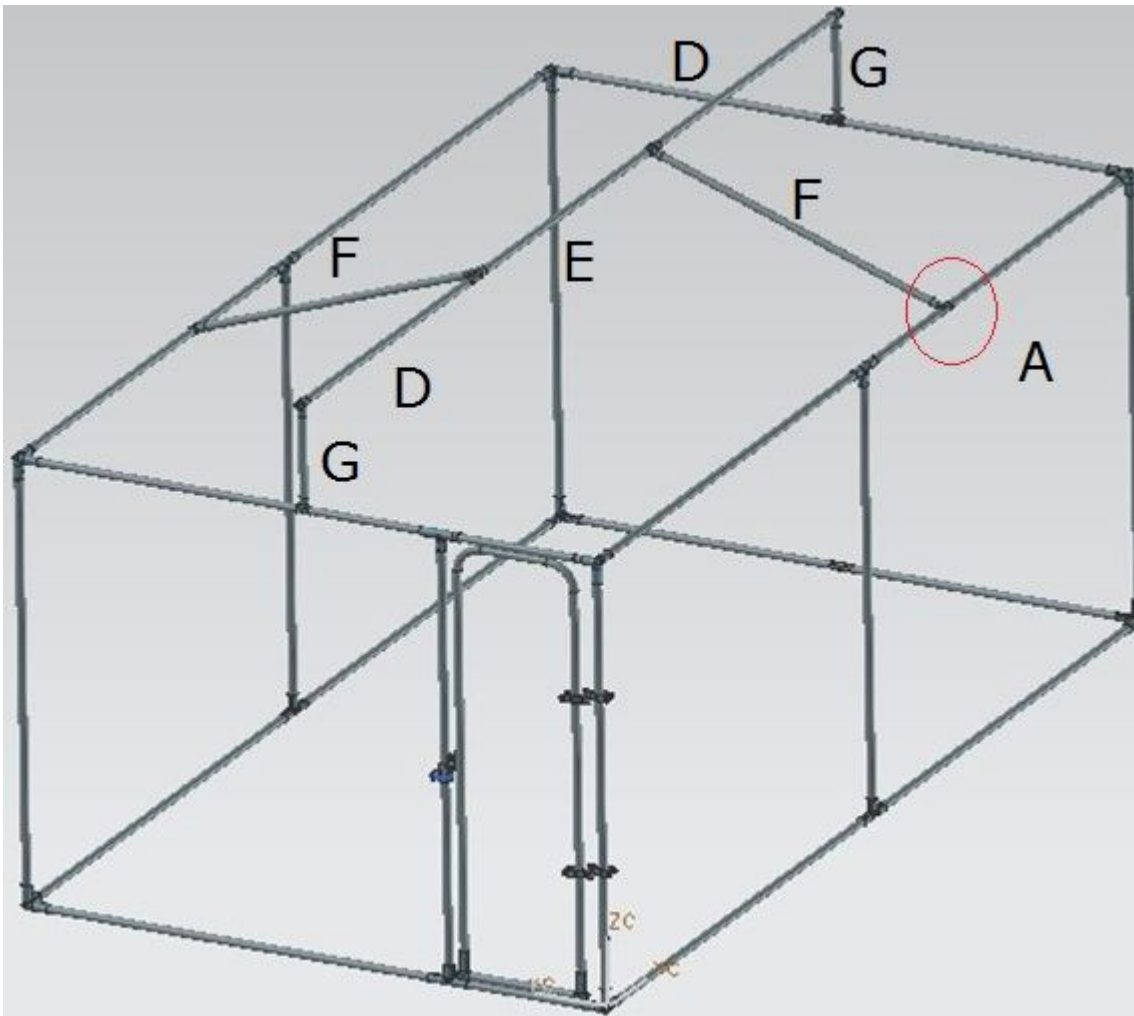
D. 140cm tubes 2pcs

E. 132cm tube 1pc

F. 115cm tubes 2pcs

G. 40 cm tubes 2pcs

Step 1. Assemble the roof support frame



Step 2. Put the roof fabric on and fasten with the elastics tie.

