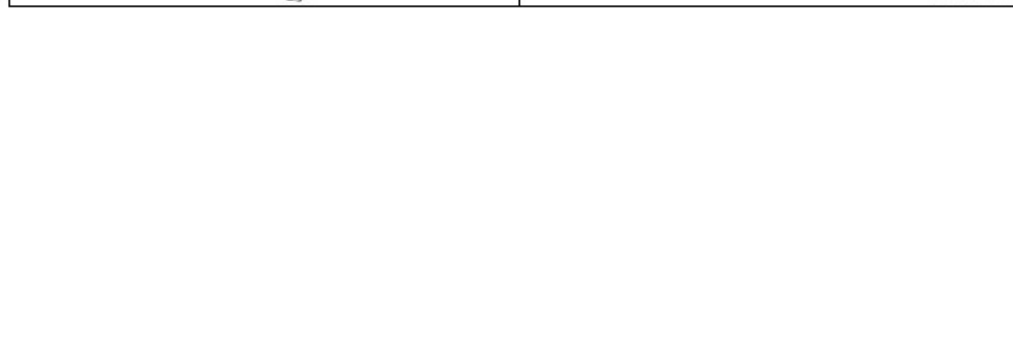
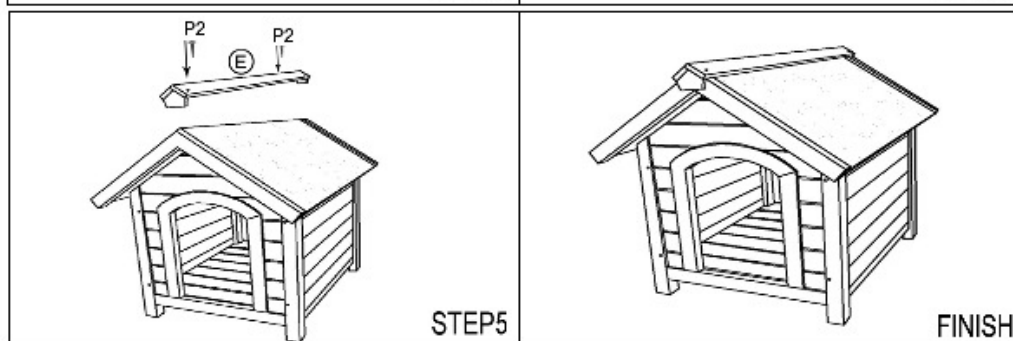
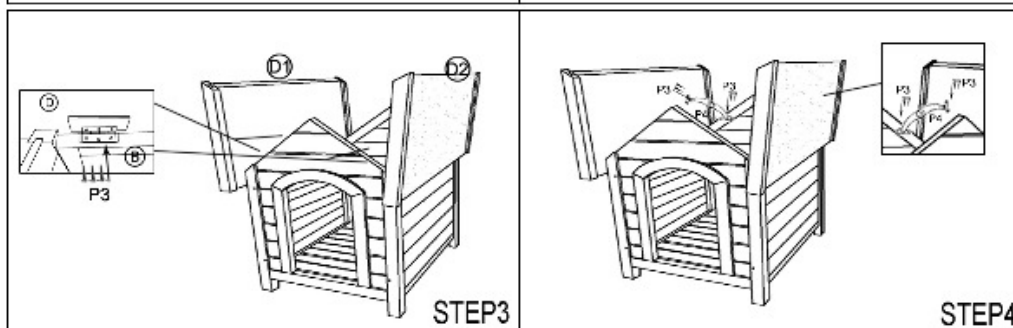
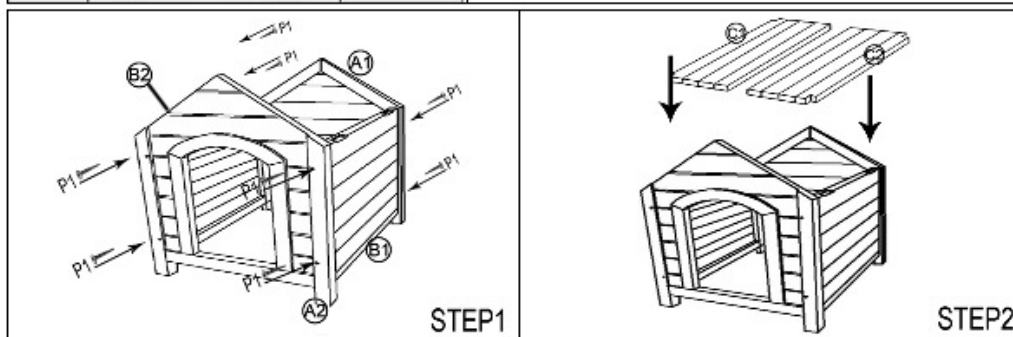




# ASSEMBLY INSTRUCTIONS

P1	6 x 65mm	8PCS+1spare	
P2	3.5 x 25mm	2pcs+1spare	
P3	3 x 16mm	20pcs+1spare	
P4		2pcs	



FINISH