
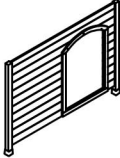
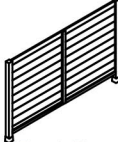
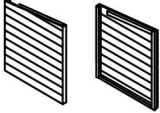


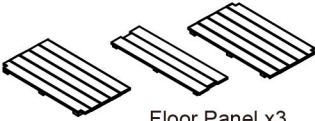






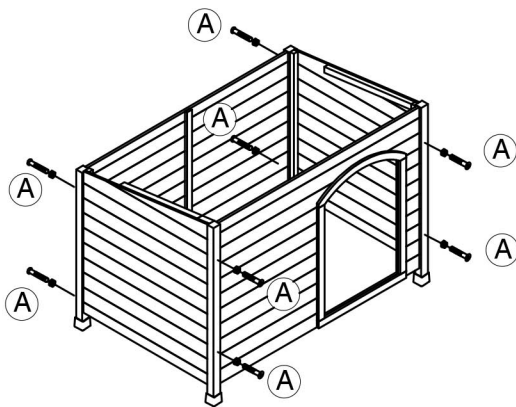
Assembly instructions for 68873-001 & 68874-001

Suggestion:

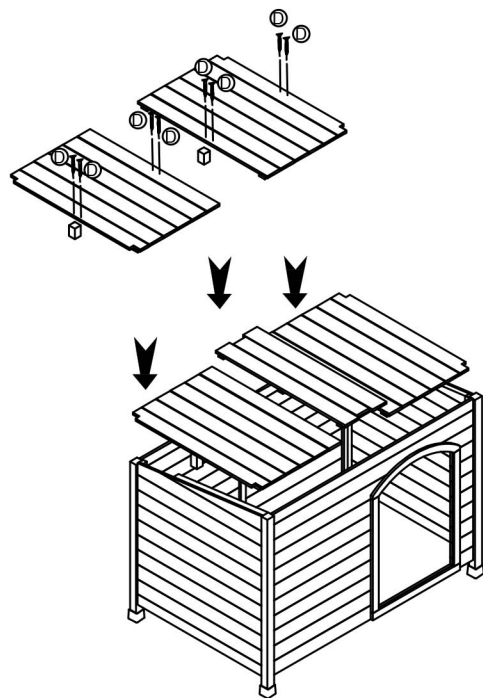
1. Two person at least.
2. Assembled on the flat, soft ground.
3. Household multipurpose spanner.

PARTS LIST

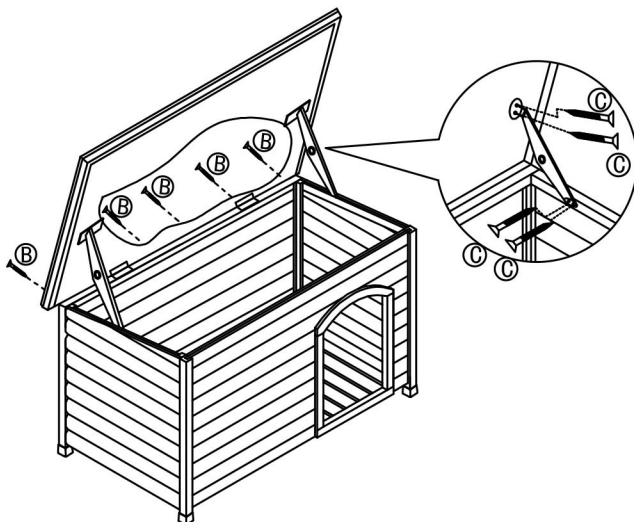
	M6*60	8 PS			
	M3.5*25	5 PS	Front Panel x1	Back Panel x1	Side Panel x2
	M4.2*16	8 PS			
	M3.0*30	8 PS	Floor Panel x3	Support pad x4	Roof x1
		2 PS			



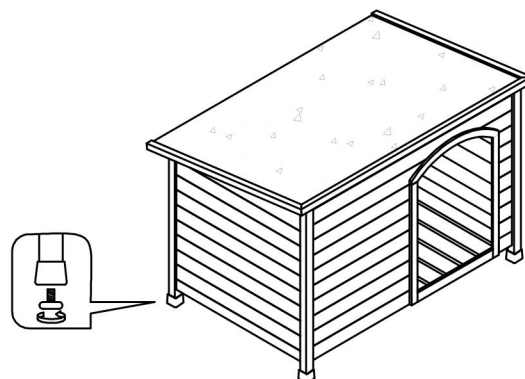
1. Connect the Front panel and the Back panel to the two Side panels using (A) bolts and nuts.



2. Attach four Support pads to two big floors using (D) screws and then insert three Floor panels into assembled dog house.



3. Attach roof to assembled dog house using (B) screws, and then attach two Locking brackets to assembled roof and dog house using (C) screws.



4. Finish.